



## **905 MetalBest, 905-C (Corrugated Metal/Graphite faced)**

Style **905 Metalbest** is a corrugated gasket style 900 metal core with flexible graphite facings (see figure below). It combines the sealing properties of the Flexible Graphite with the extrusion resistance of the corrugated metal core. It is designed to maintain a positive seal through thermal cycling and shock load conditions. These gaskets have passed an industry fire test, a relative indicator of the gasket's ability to resist fire conditions.

### **STYLE 905 METALBEST GASKETS FOR ASME B16.5 FLANGES**

Style 905 Metalbest gaskets meet the Fugitive Emissions requirements, have been fire tested and approved according to the requirements of the PVRC Fire Tightness Test (FITT) procedure and have been sealability tested per ROTT procedure.

The standard material for the metal core is 316L Stainless Steel. Other alloys are available upon request.

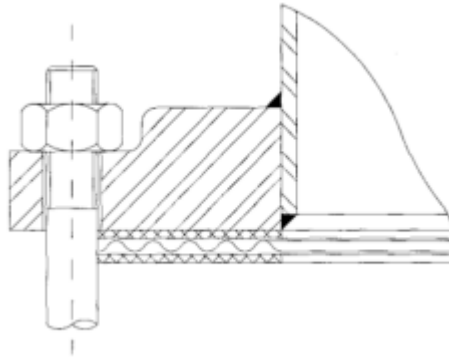
### **STYLE 905 METALBEST GASKETS FOR HEAT EXCHANGERS**

One of the most frequent uses of Style 905 Metalbest Gaskets are in Shell and Tube Heat Exchangers, due to their ability to avoid mechanical shearing problems associated with other gasket types in heavy thermal cycling applications. Teadit style **905-C** is a 905 Metalbest made specifically to a major refiner's specifications, for this purpose. The standard core material is 316L Stainless Steel and the covering layer is Flexible Graphite. Other alloys are available upon request. The gasket thickness before seating is 0.080 in (2 mm) and the other dimensions and shapes are per application.

For customers requiring expanded PTFE facing material instead of graphite, style **905-PTFE** is available in thicknesses as required.

905 Metalbest PVRC Gasket Constants:

- Gb: 90 psi
- a: 0.547
- Gs: 0.388 psi



Properties and application parameters shown throughout this datasheet are typical. Your specific application should not be undertaken without independent study and evaluation for suitability. For specific application recommendations consult TEADIT. Failure to select proper sealing products could result in property damage and/or serious personal injury. Specifications are subject to change without notice. This edition supersedes all previous issues.

Copyright © 2008 Teadit N.A.  
1465 E. Sam Houston Pkwy South Suite 140 Pasadena TX 77503  
TOLL FREE: 800-999-0198 PHONE: 281-476-3900 FAX: 281-476-3999  
[sales@teadit.com](mailto:sales@teadit.com)