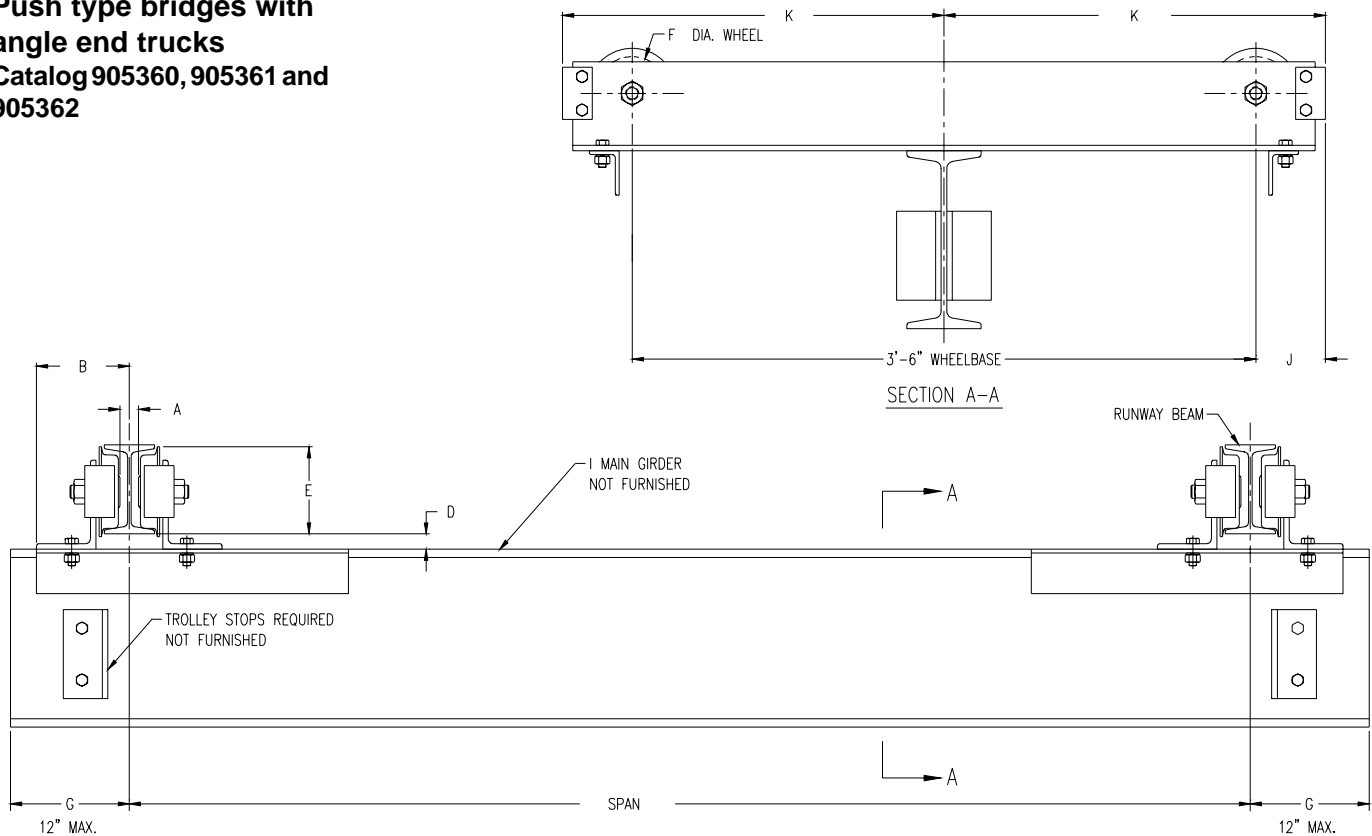


**Push type bridges with
angle end trucks**
Catalog 905360, 905361 and
905362



**Push type bridges with
channel end trucks**
Catalog 905368 and 905524

